

GMV-4 MACHINE QUOTATION

GMV-4 (12"X 54") Heavy-Duty Knee-Mill

STANDARD MACHINE FEATURES:

Machine Construction:

- Meehanite Castings, fine grain and high density cast iron using the superior Meehanite process yields superior vibration dampening and improved surface finish and tool life
- Built-in leveling ledge to level machine low to ground very easy
- Double table locks for increased machining rigidity

Guide Ways:

- Hardened and Ground extra wide Box Way saddle for heavy-duty cutting performance
- Hardened and Ground Square Box Ways on Column and Knee
- Hardened and Ground Machine Table for enhanced wear resistance.
- Dovetail ways for longitudinal axis.
- Turcite-B Premium *Red Furon* Coated way surfaces (*Made in USA*)

Spindle:

- 5-HP Spindle Motor
- #40-taper spindle for superior metal removal capability
- ABEC Class-7 matched Super Precision spindle bearings
- Hardened, ground and polished precision Back Gear for quiet operation
- **Two high-output fans on spindle motor to provide extra cooling**
- Forward/ Reverse spindle switch housed in an oil-tight switch box
- Precision Spindle with 0.0002" maximum spindle runout – guaranteed!

Quill:

- Power quill feed with 3-feeds and adjustable feed stop & automatic feed trip release
- Hardened and Ground Quill – **Hard chrome plated** for a long service life
- Quill return spring

Machine Features:

- Hi -Torque knee powerfeed included to enhance operator efficiency
- Multiple knee and table locks for superior cutting rigidity
- T-slots ground to 5/8" to fit standard workholding nuts
- Automatic Metered Lubrication for slideways and lead screws
- Spring Loaded way cover is included for added safety and protection of machine
- Built-in coolant pump is included
- Coolant & Chip Tray is included
- Water resistant halogen lamp is included
- Inspection Report on accuracy, Instruction Manual, Tools and Tool Box all included
- Large compliment of parts and accessories in stock to ensure continued operation

**THE BEST MILLS IN THE INDUSTRY!
BACKED BY A FULL - SATISFACTION GUARANTEE**

STANDARD GMV-4 MACHINE SPECIFICATIONS:

TABLE –

Table Size:	12" X 54" (305 mm X 1372 mm)
Table Capacity	1,200 lbs.
T-slot width (3 Ground T-Slots)	5/8" with ground reference edges (15.9 mm wide)

MACHINE TRAVELS & CAPACITY –

Table Travel – X axis / (With Power Feed)	36" / 33.8" (914/860 mm) / 32" (812 mm)
Cross Travel – Y axis	15.75" (400 mm)
Knee Travel – Z axis	16" (406 mm)
Ram Travel	17.7" (450 mm)
Spindle Nose-to-Table Travel	2" – 18" (50 – 457 mm)
Quill Travel – Manual & Power Feed	5" (127 mm)
Quill feeds – With Trip Release	0.0015", 0.003", 0.006" (0.038 mm, 0.076 mm, 0.152 mm)
Quill Diameter	4.13" (105 mm)
Leadscrews with ground pitch (X & Y)	.2" per rev. (5 mm)

SLIDE WAYS -

Longitudinal Table – X Axis	Hardened & Ground Meehanite Cast Iron
Cross Slide to Knee – Y Axis	Hardened & Ground Dovetail Ways
Knee to Column – Z Axis	Hardened & Ground Square Box Ways

SPINDLE HEAD –

Head tilt (Left-to-Right)	90 – 0 – 90 degrees
Head tilt (Front-to-Back / Up-Down)	45 – 0 – 45 degrees
Head Swivel	360-degrees
Spindle Motor	5-HP, 3-Phase 220 vac
Spindle Taper	NT #40 NMTB N.S. spindle taper
Spindle Runout	0.0002" maximum runout (0.005 mm)
Spindle Bearings	ABEC-7 matched set of Class-7 bearings
Variable Speed Drive - Dual Range	80 - 520 rpm (low-range) / 520 – 4,000 rpm (high-range)

Note: 5,000-RPM Electronic Variable-Speed Spindle available with the optional AC Inverter Spindle Head

DIMENSIONS & WEIGHT –

Power Requirements - 3-Phase	220 vac @ 22 amps
Coolant Capacity	11-Gallons (41 liters)
Machine weight	3,520 lbs. (1,600 kg)
Machine Layout	Width – 54" Depth – 66" – Height – 92"

ONE FULL-YEAR WARRANTY PROVIDED

- Specifications and pricing subject to change without prior notice –

THE HEAVIEST-DUTY TOOLROOM KNEE-MILL ON THE MARKET

GMV-4 DELUXE MACHINE: \$21,990.00

DELUXE ACCESSORY PACKAGE INCLUDED WITH EACH MACHINE - A \$3,665 VALUE

1.5 HP Motorized Knee Power Feed
Spring Loaded Way Covers
2-Cooling Fans in Spindle Head
Halogen Work Light
Automatic Lubrication System
Coolant Pump & Nozzle
Coolant & Chip Tray

SPECIAL PACKAGE SAVINGS:

PACKAGE #1 \$24,990.00

NEWALL 3-axis Digital Readout
Hi-Torque X-axis (table) Powerfeed (Max Torque 650 in/lb.)

PACKAGE #2 \$26,990.00

NEWALL 3-axis Digital Readout
Hi-Torque X-axis (table) Powerfeed (Max Torque 650 in/lb.)
Y-axis (cross) Powerfeed, Air-Power Drawbar w/ safety shut-off

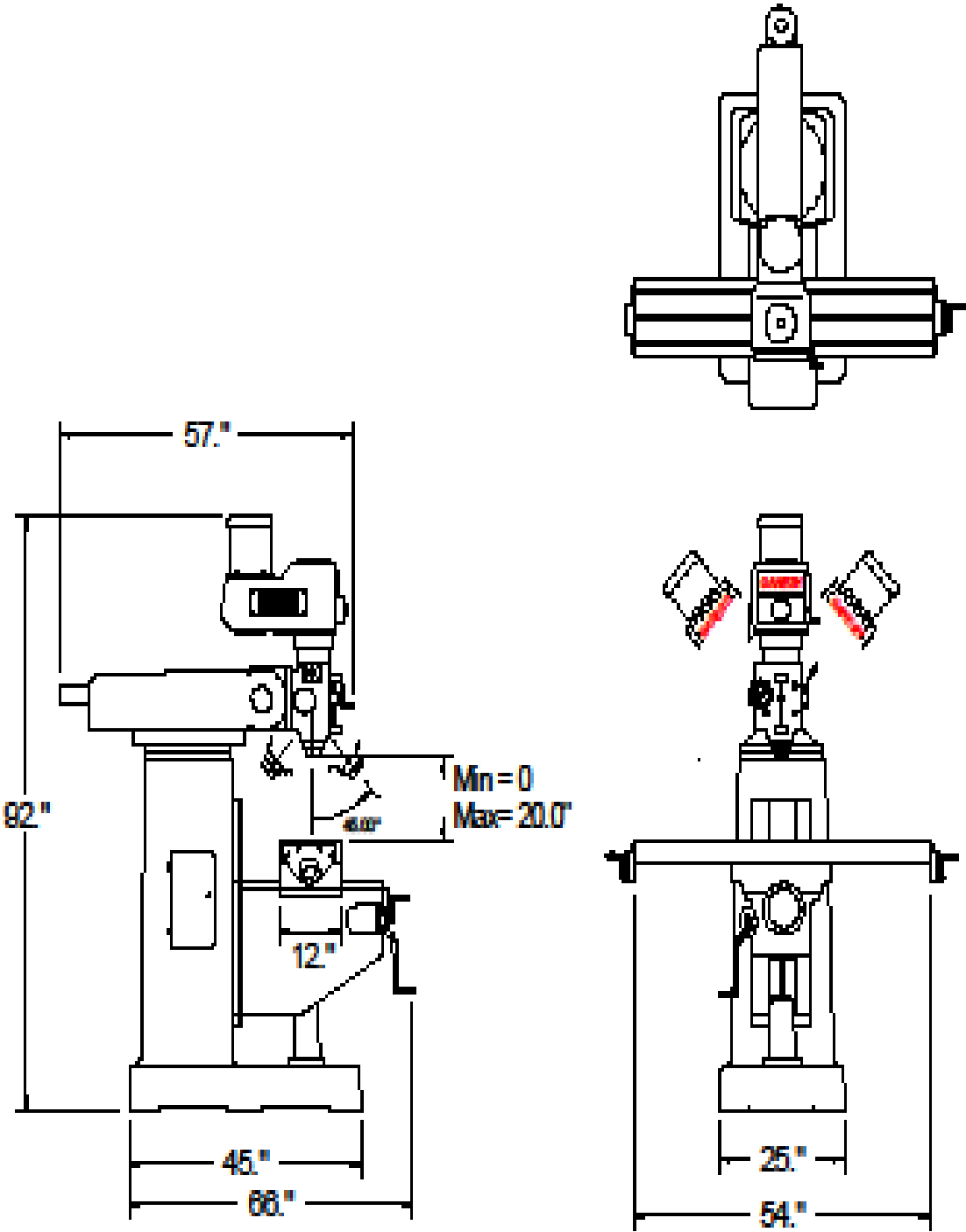
MACHINE OPTIONS

- Factory machine installation:
"Peace-of-Mind Factory Installation" – includes expenses \$2,995.00
- Newall 2-Axis Digital Readout installed \$2,695.00
- Newall 3-Axis Digital Readout (3rd axis is on the quill) installed \$3,495.00
- 4" Riser installed on your machine \$750.00
- 8" Riser installed on your machine \$995.00
- Wiring to 440 volts Net Price \$395.00
- Hi-Torque Longitudinal Powerfeed installed \$695.00
- Hi-Torque Cross Powerfeed installed \$795.00
- Powerpac 40 Taper Air Power Drawbar installed \$1,295.00
- Upgrade to DVS (Digital Variable Speed) P.O.R.

A large compliment of spare parts is in stock at our facility in Chatsworth to ensure your continued operation.

**Ganesh machines are manufactured in
Our Certified ISO 9001 Factory in TAIWAN.**

Floor Plan Layout



Terms of Sale

Warranty – 1 full year parts warranty on the machine. Labor warranty will be provided by your local servicing distributor.

Parts– Spare parts are available at our facility in Chatsworth to support your continued machine operation.

F.O.B. Point – Machines ship F.O.B. from Chatsworth, CA 91311.

Payment Terms – 30% down payment with your Purchase Order secures the machine. 60% is due prior to machine shipment, and the 10% balance is due net-30 days after installation or the machine can be financed with our approved lender. Leases with \$1.00 buyout are available upon approved credit.

Purchase is governed by the Expand Machinery terms and conditions of sale.

UL & TÜV ELECTRICAL APPROVAL IS AN AVAILABLE OPTION

Prices and specifications subject to change without prior notice.