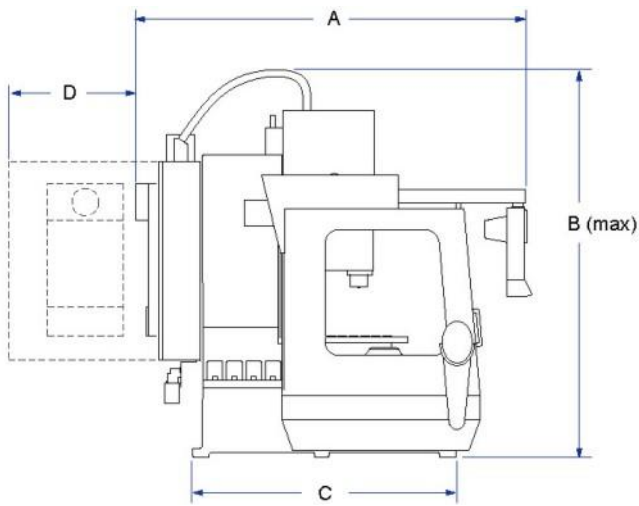


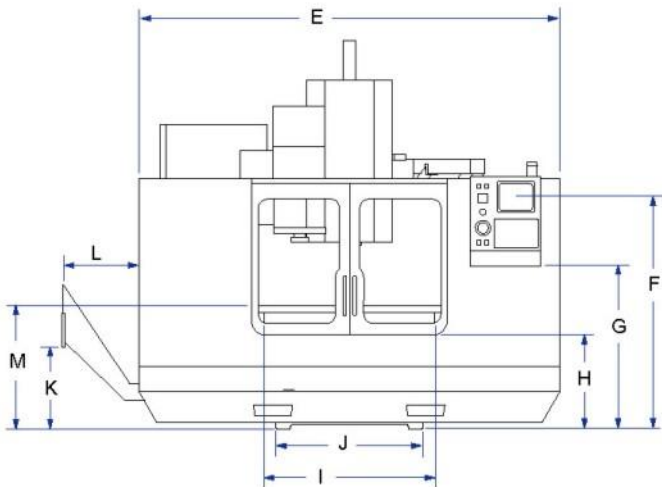
# MACHINE DIMENSIONS, VF-2YT

## SIDE VIEW



- A** 99.3" (2522 mm)
- B** 104.5" (2654 mm)
- C** 65.0" (1651 mm)
- D** 36.0" (914 mm)

## FRONT VIEW



- E** 88.0" (2235 mm)
- F** 64.0" (1626 mm)
- G** 42.95" (1091 mm)
- H** 32.0" (813 mm)
- I** 35.5" (902 mm)
- J** 30.0" (762 mm)
- K** 27.54" (700 mm)
- L** 21.81" (554 mm)
- M** 33.0" (838 mm)

## SHIPPING DIMENSIONS

Pallet Size ..... 114" x 98" x 103" (2896 x 2489 x 2616 mm)  
 Weight ..... 7500 lb (3402 kg)

